

SPEEDY

Permanent Speed Check for Skiers

The ALGE-TIMING Speedy is a permanent speed measuring facility for skiers that allows every skier to measure on a protected slope his speed.

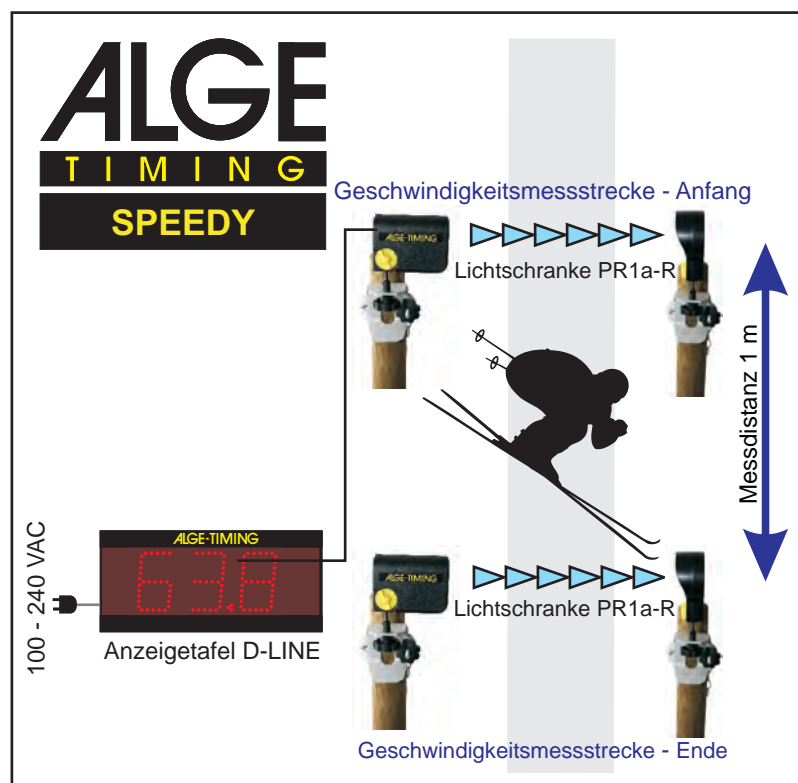
The installation of the Speedy is very simple. You need a proper measuring skiing slope that is closed only for speed measurement to prevent accidents. Each skier has to run the slope separate. At the end of the measuring slope are two photocells with a distance of 1 Meter. The photocells measure the time and in the display board the speed is calculated and shown.

The Speedy is used in many skiing areas with big success und is a very popular attraction with the skiers. In most cases the speed slope is prepared at lift, which is not much frequented to get additional skiers on this lift.

Components of the System

Display Board: ALGE-TIMING offers LED 7-segment display boards with 15 cm (6 inch) and 25 cm (9.8 inch) figure height. The boards have 3 digits to show the speed form 0 to 99.9 in km/h, m/s or mph. The brightness of the LED is adjustable in nine levels so it is suitable for bright sunlight and night or fog. The board is powered form the mains (100 – 240 VAC) or a 12V battery.

Photocell: The system includes two complete photocells of the type PR1a-R (photocell, reflector, fastening bracket, cable with 30 m).



Technical Data

- Power Supply:** 100 - 240 VAC or 12 VDC
- Power Consumption:** max. 15 Watt (SP3-L150-3)
max. 35 Watt (SPF3-L250-3)
- Operation Temperature:** -22°C to +104°C (
- Geschwindigkeit:** von 1 bis 99.9 km/h
(1 to 99.9 mph)
- Measuring Unit:** km/h, m/s or mph
- Measuring Distance:** photocell to photocell: 1 m
(on request other distances)

ALGE

TIMING

ALGE-TIMING GmbH
 Rotkreuzstrasse 39
 A-6890 Lustenau
 Tel: +43-5577-85966
 Fax: +43-5577-85966-4
 office@alge-timing.com
 www.alge-timing.com